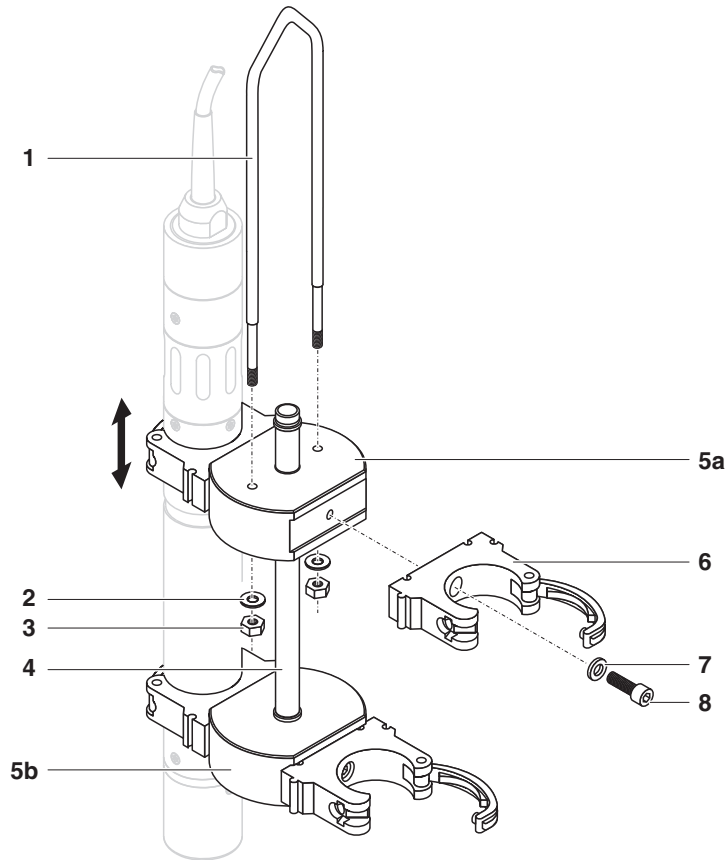




a xylem brand

## Installation instructions

# EH2/U 170 Twin Sensor Holder



EH2/U 170

## Parts list

Pos.	Article	Quantity
1	Handle	1
2	Washer for M4	2
3	Lock nut M4	2
4	Spacer	1
5a, 5b	Plate	2
6	Holding clip	4
7	Washer for M5	4
8	Screw M5 x 18	4

## Assembly

- Mount the handle (1) on the plate (5a) using the washers (2) and lock nuts (3).
- Using the screws (8) and washers (7), mount the four holding clips (6) on the two plates (5a, 5b).
- Place the sensor into the holding clips and secure it with the holding brackets. When doing so, adjust the distance between the holding clips to the length of the sensor. The upper plate can be shifted along the spacer for this.

## Materials

Pos.	Material
1, 2, 3, 4, 7, 8	V4A Stainless steel 1.4571
5a, 5b	PVC-U
6	PP